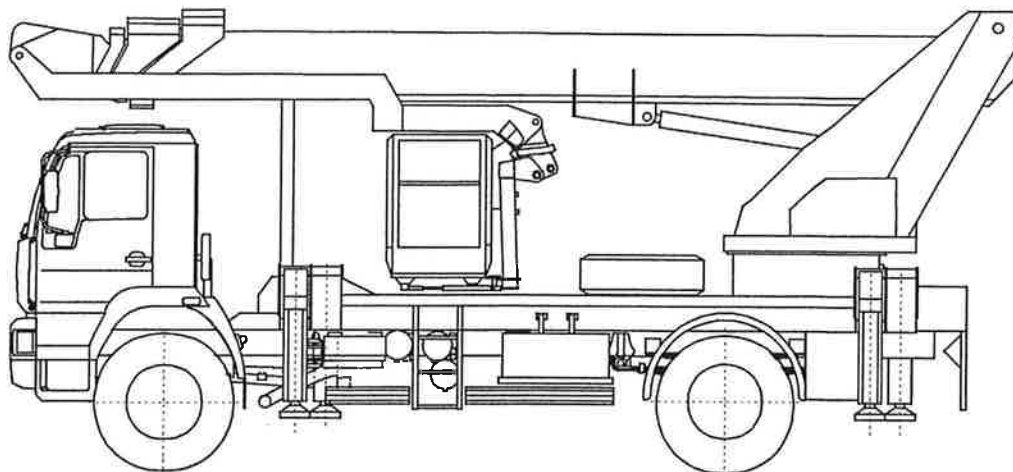


### **3 TECHNICAL DESCRIPTION**

#### **3.1 Technical Details**



#### **3.2 Main Dimensions**

Height, overall	m	3,95
Length, overall (in driving mode)	m	8,45
Width, overall	m	2,50
Outriggers withdrawn	m	2,52
Outriggers extended (both sides)	m	4,91
Outriggers extended (one side only, R or L)	m	3,57


##### **3.2.1 Working Data**

Platform Height	approx..	m	33,50
Working Height	up to	m	35,50
Max. Turning Capability			500 °
Max. Cage Swivel Capability			2 x 50 °

##### **3.2.2 Weights**

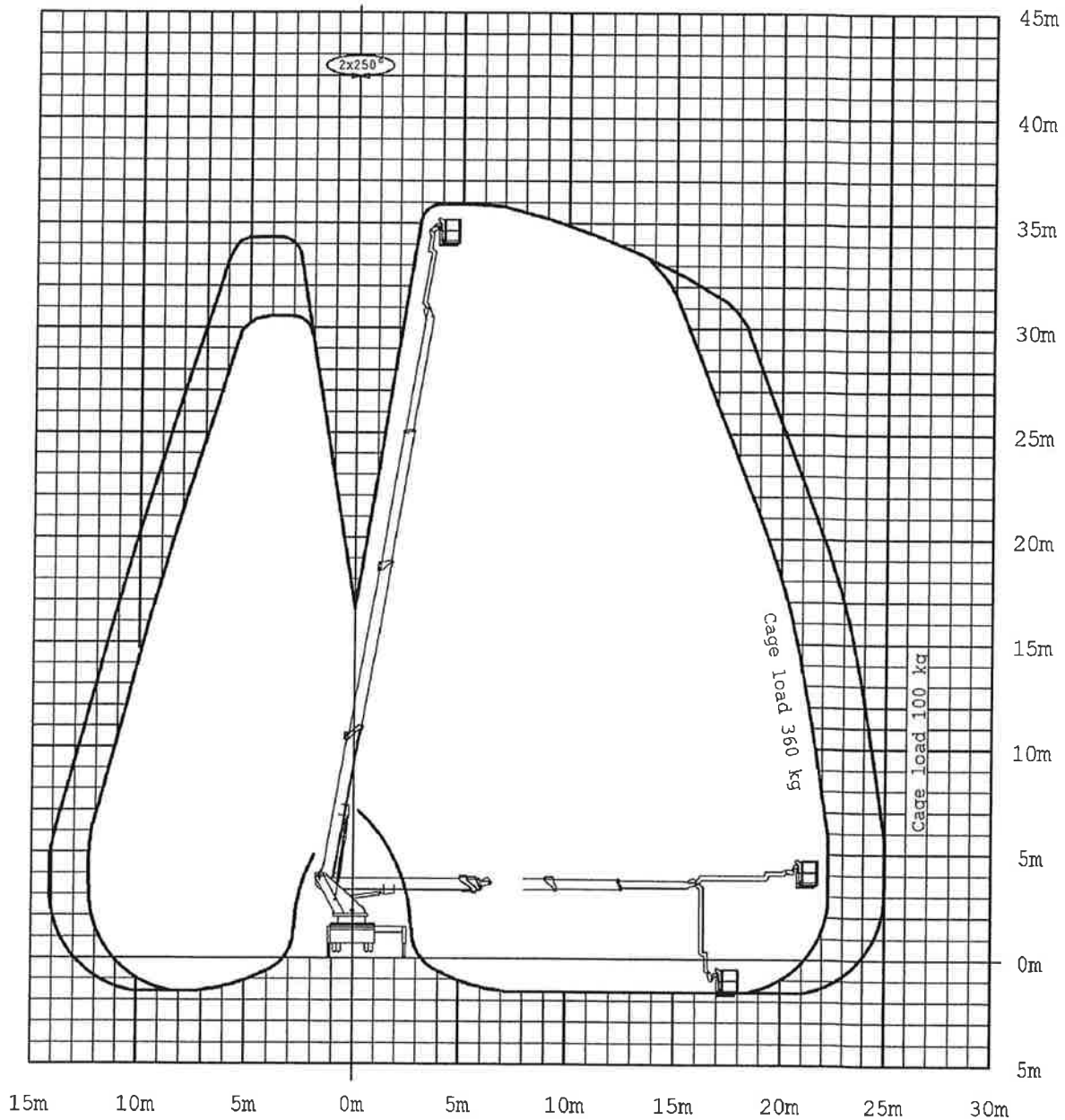
Gross Vehicle Weight	t	18
Elevating Work Platform Weight (without carrier vehicle)	t	11,0
Maximum Permissible Cage Load (Standard Cage)	kg	360

**3.2.3 Sideways Working Range**

**Working Diagram WT355** **WUMAG** elev<sup>ant</sup> 

Standard cage

RW355VHE.ZEI



**G.V.W. 18 t**

**Date: 01.06.2001**

The outreach is depending from the vehicle, type of stabilizing and the additional equipment of the mobile elevating work platform.

Measured the 23.05.01.

We reserve our right to technical alterations without prior notice.

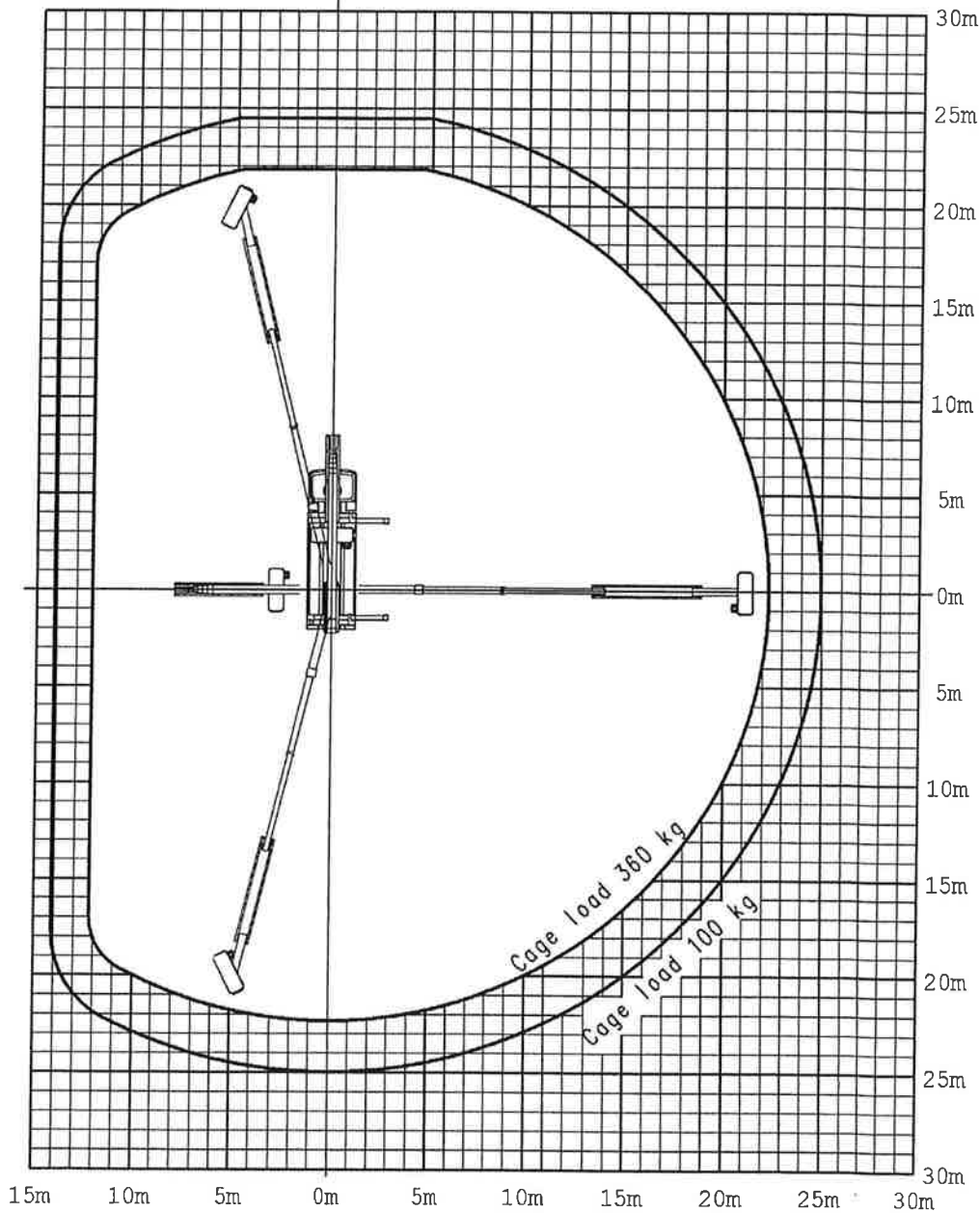
**C. Wilhelm**

**3.2.4 Working Range - planview**

**Working Diagram WT355** **WUMAG**<sup>elev</sup>ant<sup>A</sup>

Standard cage

RW355VOE.ZEI



**G.V.W. 18 t**

**Date: 01.06.2001**

The outreach is depending from the vehicle, type of stabilizing and the additional equipment of the mobile elevating work platform.

Measured the 23.05.01.

We reserve our right to technical alterations without prior notice.

**C. Wilhelm**